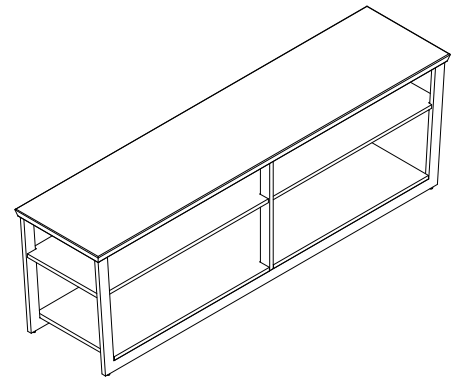


Warning :

- Be sure to check all packing material carefully for small parts, which may have come loose inside the carton during shipment.
- To prevent possible scratches and damage, this furniture **MUST BE ASSEMBLED BY TWO PEOPLE** on a soft surface such as a blanket or carpet.



#48740
Entertainment Console

Components and Hardware List

<p>Table Top</p> <p>(A) 1 pc.</p>	<p>Center Shelf</p> <p>(B) 1 pc.</p>	<p>Bottom shelf</p> <p>(C) 1 pc.</p>	<p>Leg Frame</p> <p>(D) 2 pcs.</p>	<p>Middle Leg</p> <p>(E) 2 pcs.</p>	<p>M4 Allen Key 58x23x4mm</p> <p>(F) 1 pc.</p>	<p>1/4 - 20 x 18mm Allen Head Bolt</p> <p>(G) 18 pcs.</p>	<p>1/4 - 20 x 67mm Allen Head Bolt</p> <p>(H) 2 pcs.</p>	<p>1/4 - Ø12x1mm Spring Washer</p> <p>(I) 20 pcs.</p>	<p>1/4 - Ø16x2mm Flat Washer</p> <p>(K) 20 pcs.</p>
-----------------------------------	--------------------------------------	--------------------------------------	------------------------------------	-------------------------------------	--	---	--	---	---

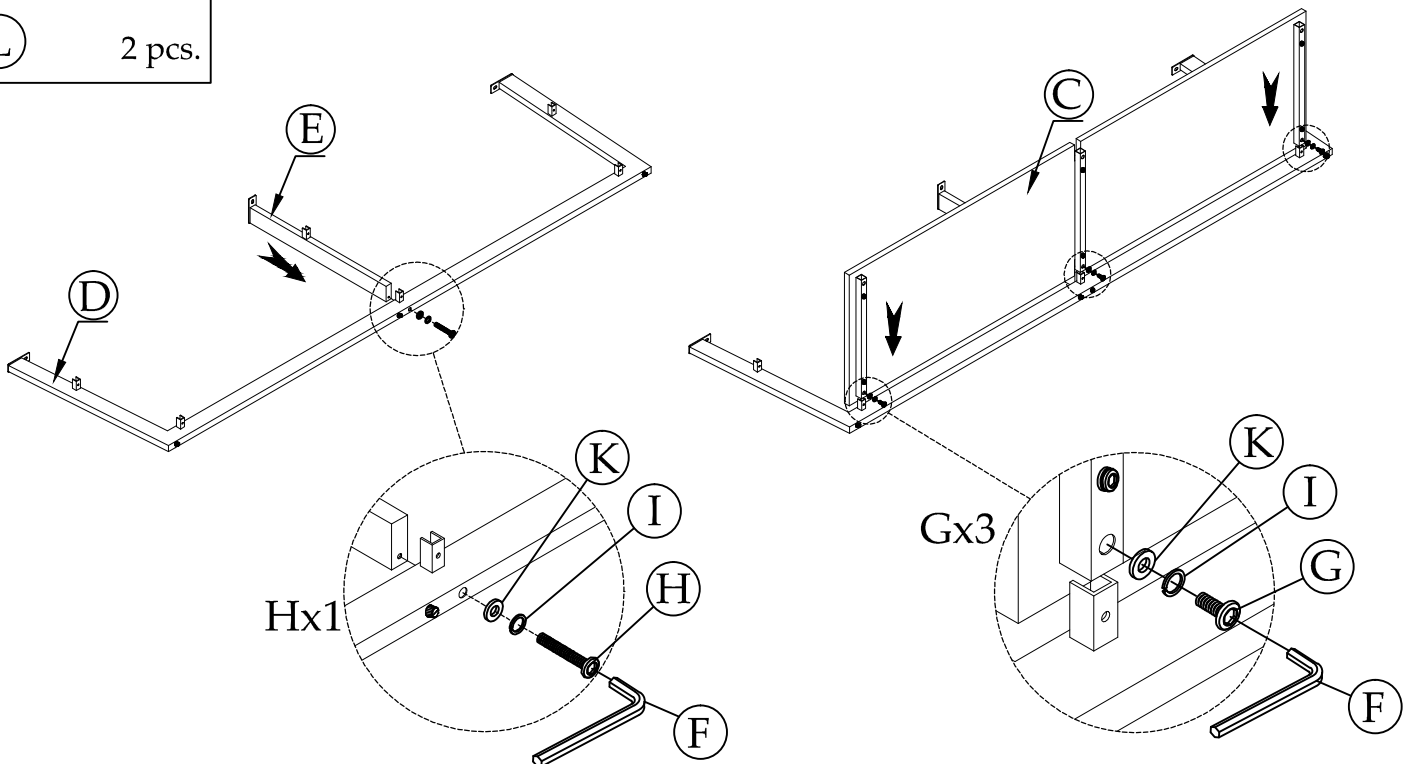
Furniture Tipping
Restraint Kit



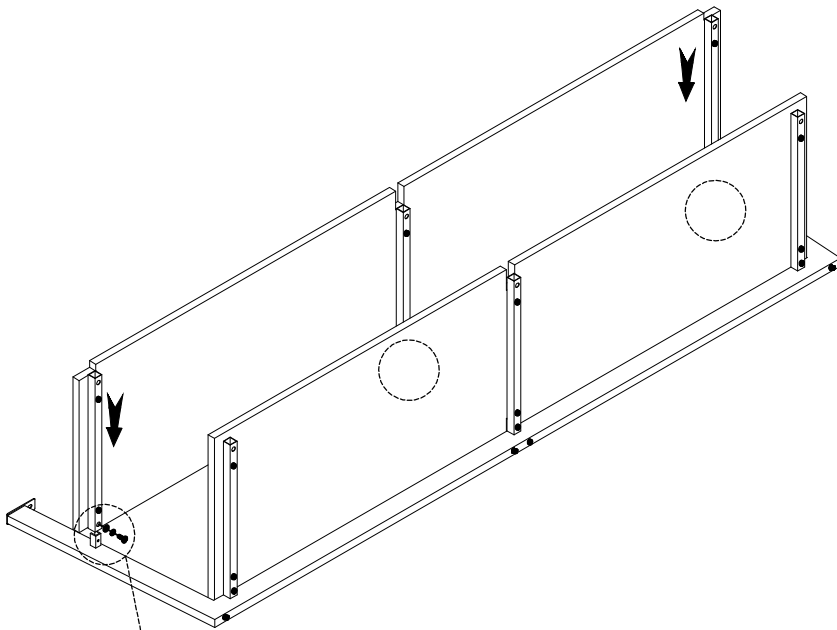
(L) 2 pcs.

Step 1: Do not fully tighten the bolts

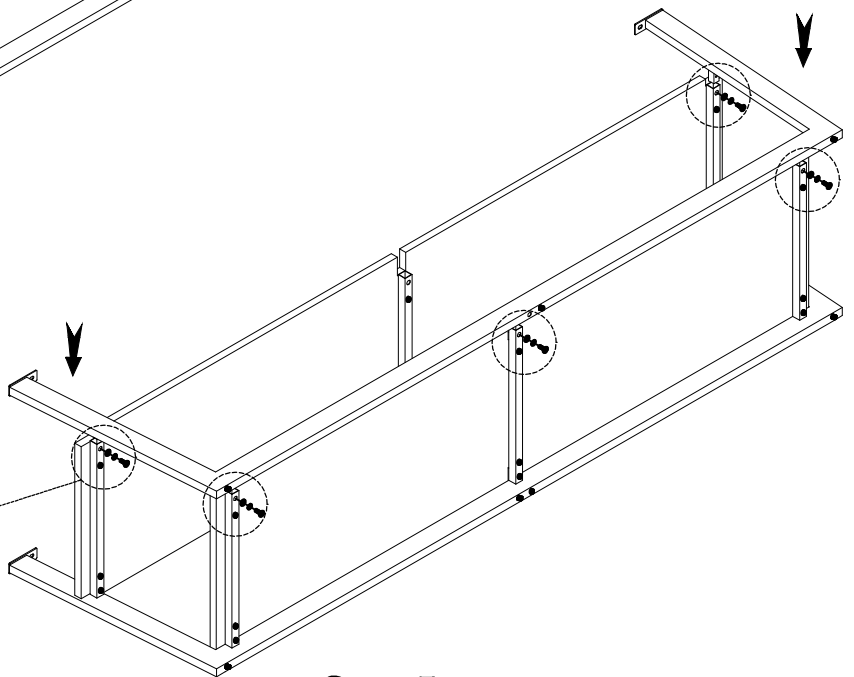
Step 2: Do not fully tighten the bolts



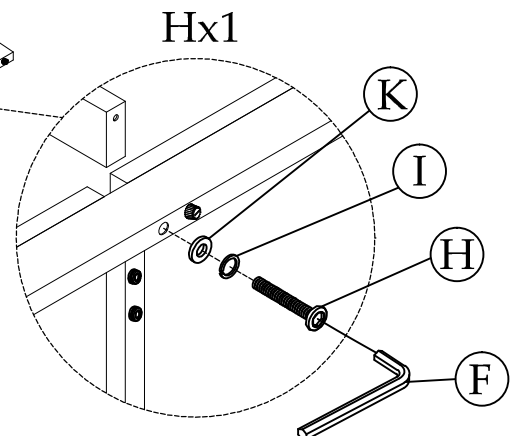
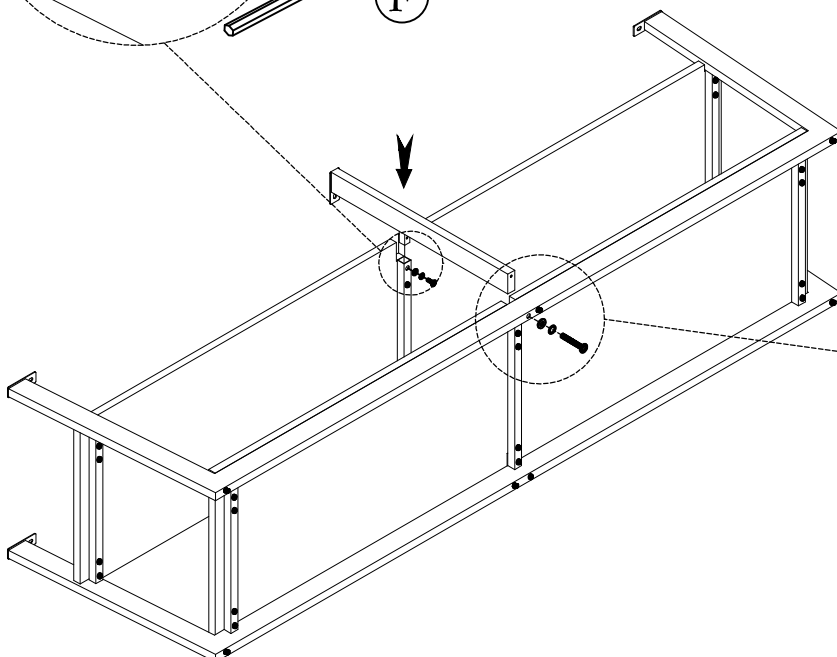
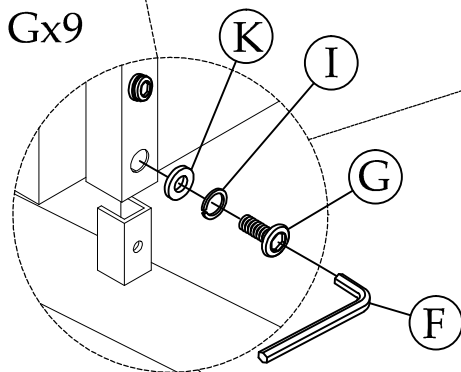
Step 3: Do not fully tighten the bolts



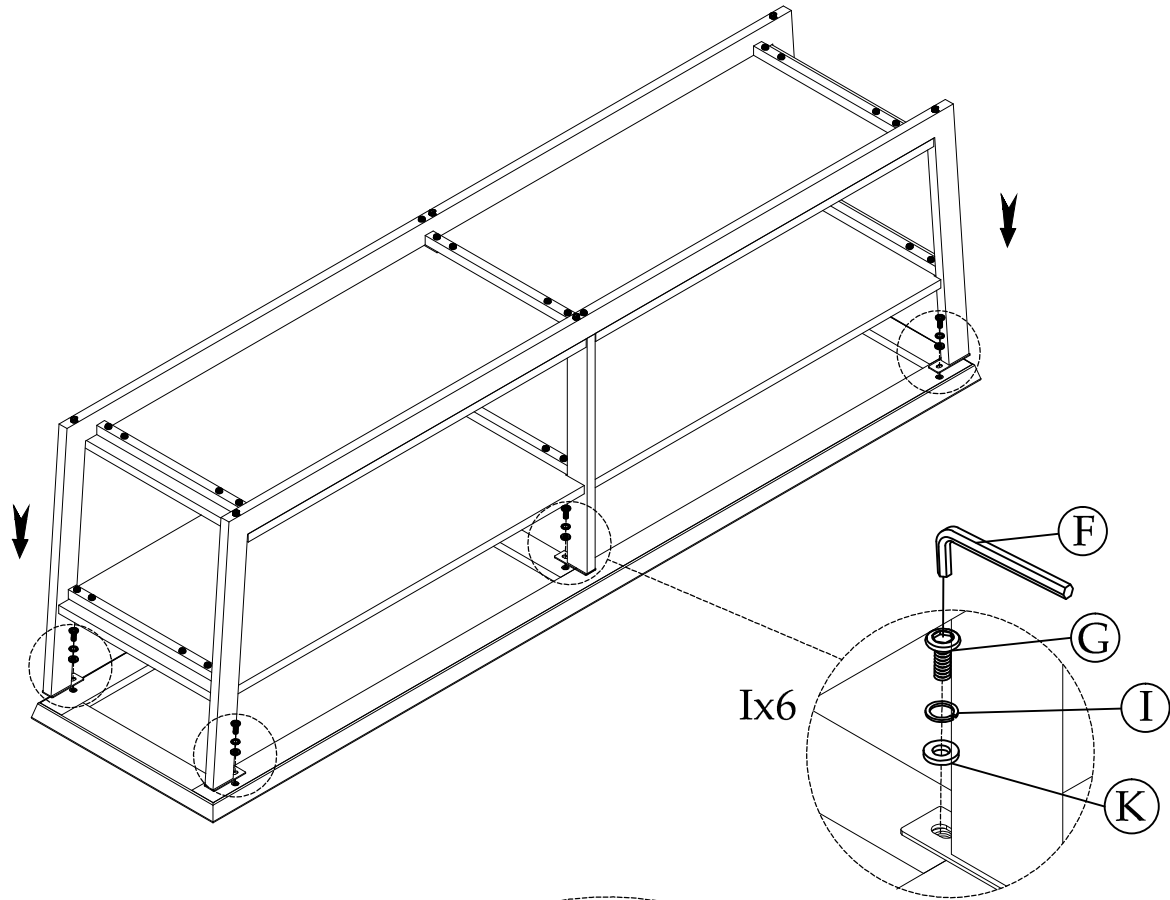
Step 4: Do not fully tighten the bolts



Step 5: Do not fully tighten the bolts



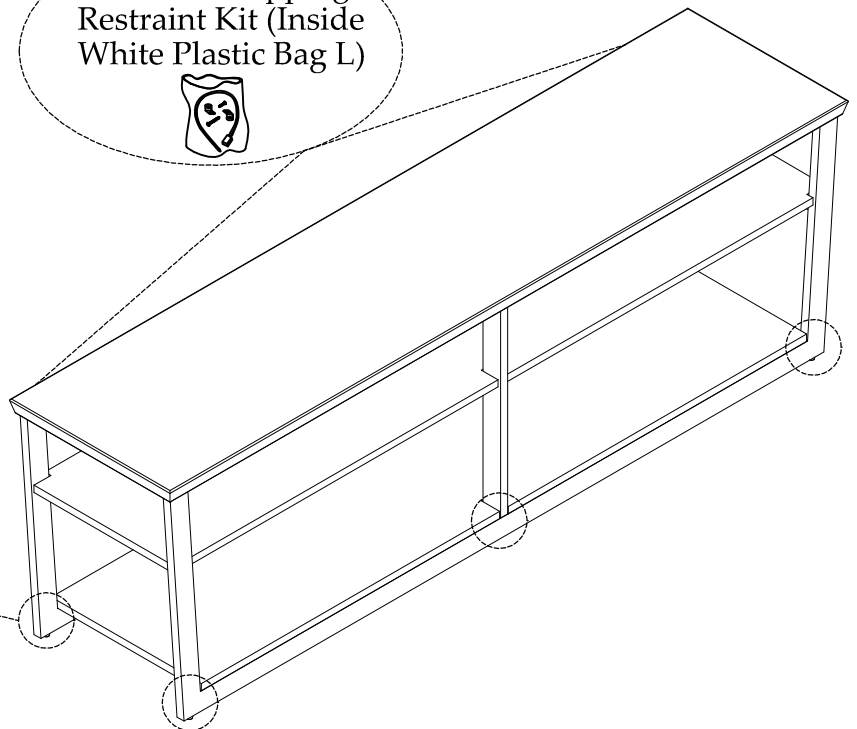
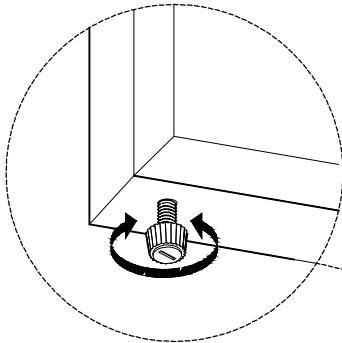
Step 6: Using the Allen key to tighten all bolts



Furniture Tipping
Restraint Kit (Inside
White Plastic Bag L)



Adjustable Leveler



For product and personal safety, two furniture tipping restraint kits have been included with this unit which can help to minimize the risk of the unit accidentally tipping forward, if used and properly installed per the kit manufacturer's instructions.